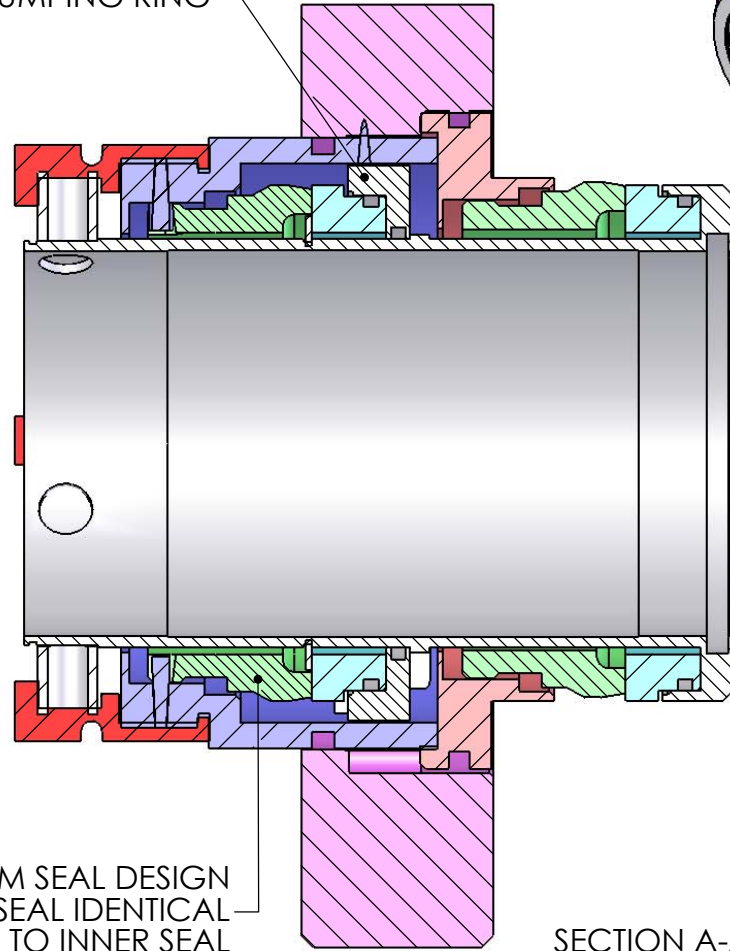


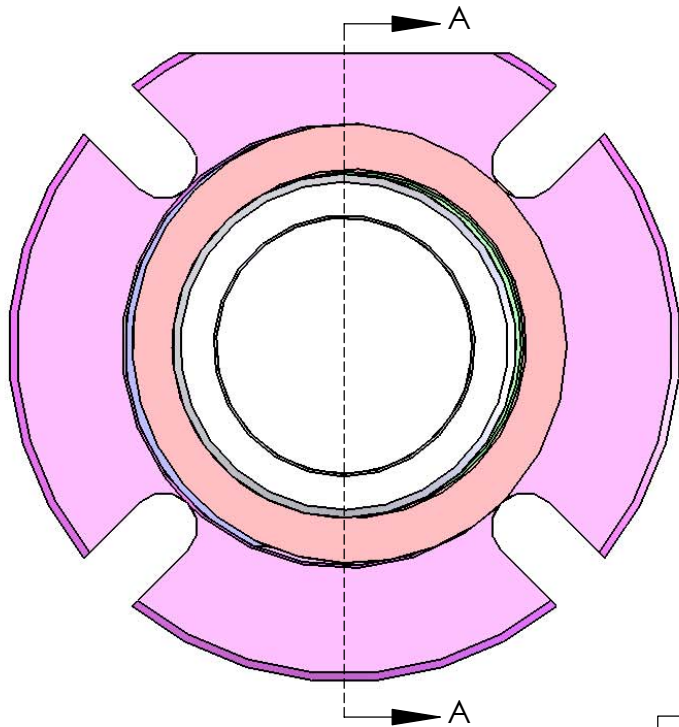
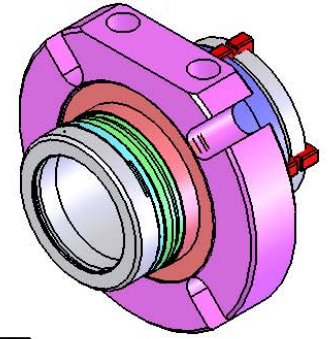
EASY TO CONNECT FLUSH
1/4" NPT

PUMPING RING



TANDEM SEAL DESIGN
OUTER SEAL IDENTICAL
TO INNER SEAL

SECTION A-A



A

A

PROPRIETARY AND CONFIDENTIAL
THE INFORMATION CONTAINED IN THIS DRAWING IS THE SOLE PROPERTY OF ZMT, INC. ANY REPRODUCTION IN PART OR AS A WHOLE WITHOUT THE WRITTEN PERMISSION OF ZMT, INC. IS PROHIBITED.

DIMENSIONS ARE IN INCHES UNLESS OTHERWISE SHOWN
TWO PLACE DECIMAL ±.01
THREE PLACE DECIMAL ±.005
BREAK ALL CORNERS .010
FACES CONCENTRIC & PARALLEL ±.002

MATERIAL
CBN/SiC/316L

FINISH

DO NOT SCALE DRAWING

NAME	DATE
DRAWN	1/7/2008
CHECKED	
ENG APPR.	
MFG APPR.	
Q.A.	

DESCRIPTION:
2" ZND CARTRIDGE DbL/TANDEM SEAL

ZM Technologies

ZM Technologies

SIZE A	DWG. NO. ZND2000R2	REV.
SCALE:1:4	WEIGHT:	SHEET OF