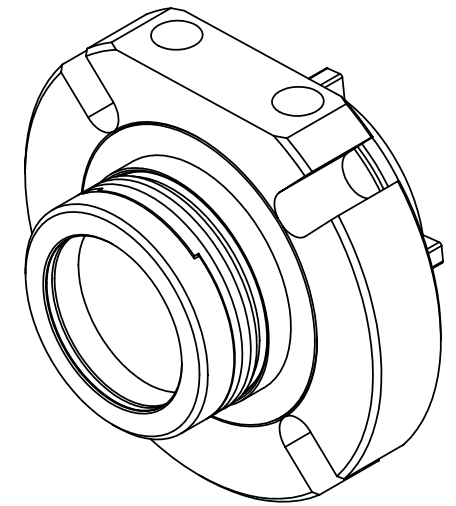
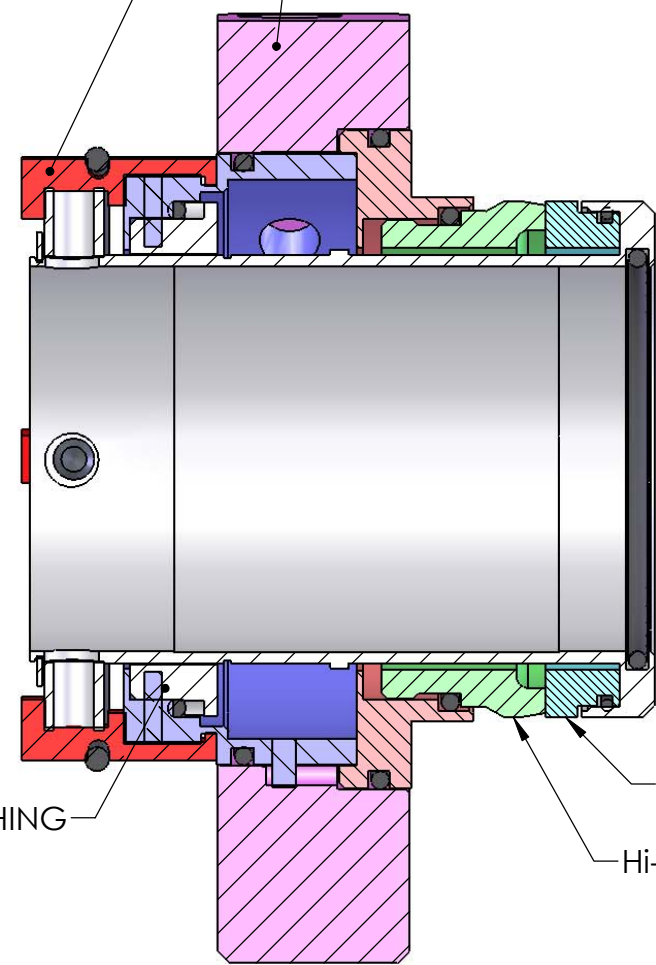


EASY TO REMOVE CLIPS
JUST CUT THE STRAP

CONVERTABLE GLAND
AND COMPONENTS



NOTE: SEAL CAN BE STEAM PURGED
IF NECESSARY.



CARBON THOTTLE BUSHING

SIC ROTARY

HI-TEMP CARBON

SECTION A-A

DIMENSIONS ARE IN INCHES
UNLESS OTHERWISE SHOWN
TWO PLACE DECIMAL ±.01
THREE PLACE DECIMAL ±.005
BREAK ALL CORNERS .010
FACES CONCENTRIC &
PARALLEL ±.002

	NAME	DATE
DRAWN	RE	1/7/2008
CHECKED		
ENG APPR.		
MFG APPR.		
Q.A.		

ZM Technologies



PROPRIETARY AND CONFIDENTIAL
THE INFORMATION CONTAINED IN THIS
DRAWING IS THE SOLE PROPERTY OF
ZMT, INC. ANY REPRODUCTION IN
PART OR AS A WHOLE WITHOUT THE
WRITTEN PERMISSION OF ZMT, INC.
IS PROHIBITED.

MATERIAL
HT-CBN/SiC/AFLAS
FINISH
35 RMS
DO NOT SCALE DRAWING

DESCRIPTION:
2" ZH ASSEMBLY
HI-TEMP SEAL

SIZE A	DWG. NO. ZH2000R2	REV.
SCALE:1:4	WEIGHT:	SHEET 9 OF 10